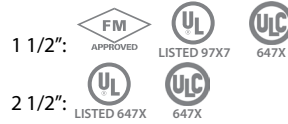


Approvals: A7A



Approvals: A7B

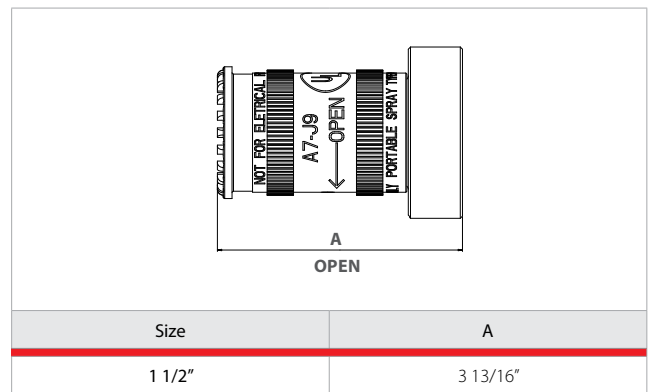


Approvals: A7BP

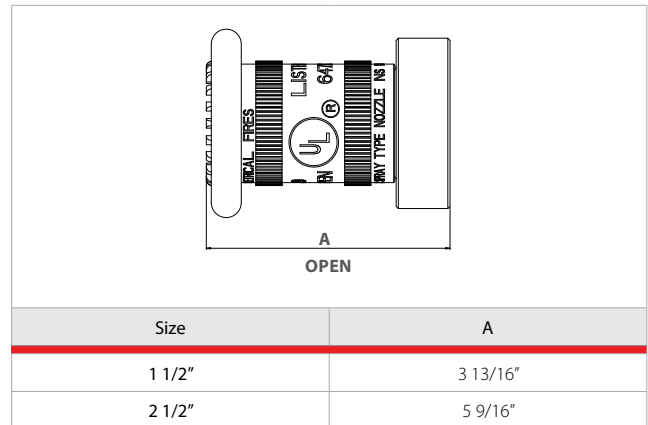


Dimensions

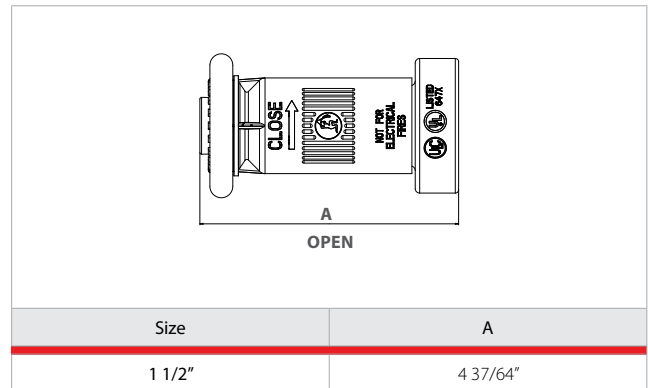
A7A – ADJUSTABLE FOG NOZZLE



A7B – ADJUSTABLE FOG NOZZLE WITH RUBBER BUMPER



A7BP – PLASTIC ADJUSTABLE FOG NOZZLE WITH RUBBER BUMPER



Description

A fog nozzle is a firefighting hose spray nozzle that breaks its stream into small droplets. Fog nozzles play an important part in firefighting tactics due to their versatility. By doing so, its stream achieves a greater surface area, and thus a greater rate of heat absorption, which, when compared to that of a smoothbore nozzle, speeds its transformation into the steam that smothers the fire by displacing its oxygen.

Versions and product codes

| Series | Size | Type | Finishing |
|--------|--------|-------------|---|
| A7A | 1 1/2" | Hose thread | Rough Brass Polished Brass Rough Chrome |
| A7B | 1 1/2" | Hose thread | Rough Brass Rough Chrome |
| | 2 1/2" | | |
| A7BP | 1 1/2" | Hose thread | Plastic |

Technical data

- Rated pressure: 100 PSI (6,89 bar)

Materials: A7A

- Body: forged brass CuZn40Pb2 in accordance with European Standard EN 12165 CW617N, similar to American Standard ASTM B124 C37700
- Yield stress of the material in the shape of bar: 360 MPa
- Stress for permanent distortion R(0.2): 138 MPa
- Elongation: 10 %

Materials: A7B

- Body: forged brass CuZn40Pb2 in accordance with European Standard EN 12165 CW617N, similar to American Standard ASTM B124 C37700
- Yield stress of the material in the shape of bar: 360 MPa
- Stress for permanent distortion R(0.2): 138 MPa
- Elongation: 10 %

Materials: A7BP

- Body: polycarbonate



Product specifications

A7A 1 1/2"

Forged Brass Nozzle with adjustment from full fog to shut-off, with main feature as following:

- 1 1/2" hose thread
- Rated pressure 100 psi
- FM approved, UL & ULC listed

A7B 1 1/2"

Forged Brass Nozzle with adjustment from full fog to shut-off with rubber bumper, with main feature as following:

- 1 1/2" and 2 1/2" hose thread
- Rated pressure 100 psi
- FM approved, UL & ULC listed

A7B 2 1/2"

Forged Brass Nozzle with adjustment from full fog to shut-off with rubber bumper, with main feature as following:

- 1 1/2" and 2 1/2" hose thread
- Rated pressure 100 psi
- UL & ULC listed

A7BP 1 1/2"

Plastic Nozzle in ABS with adjustment from full fog to shut-off with rubber bumper, with main feature as following:

- 1 1/2" hose thread
- Rated pressure 100 psi
- FM approved, UL & ULC listed

Additional information

For additional information please check the website www.giacomini.com or contact the technical service: ☎ +39 0322 923372 📞 +39 0322 923255 ✉ consulenza.prodotti@giacomini.com
This pamphlet is merely for information purposes. Giacomini S.p.A. retains the right to make modifications for technical or commercial reasons, without prior notice, to the items described in this pamphlet. The information described in this technical pamphlet does not exempt the user from following carefully the existing regulations and norms on good workmanship.
Giacomini S.p.A. Via per Alzo, 39 - 28017 San Maurizio d'Opaglio (NO) Italy